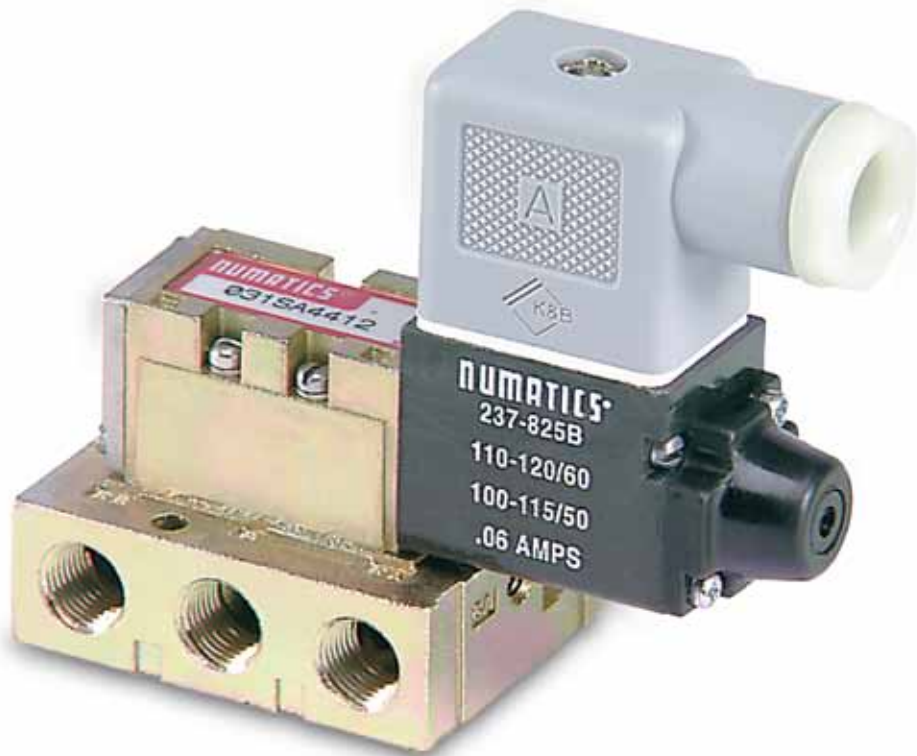


# NUMATICS®

## Mark 3, PA 3, and SPA 3 Series

Direct Solenoid Air Pilot, or Solenoid Pilot Actuated Valves



[www.numatics.com](http://www.numatics.com)

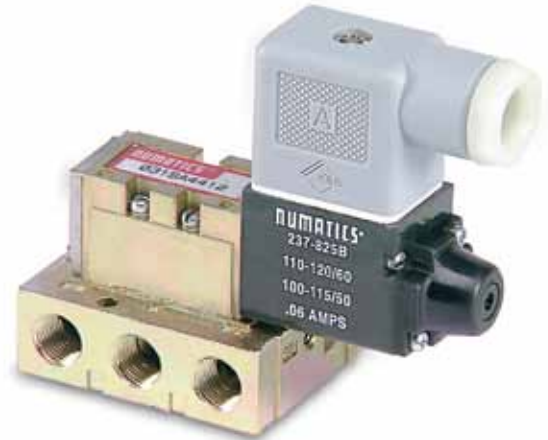
## Mark 3, SPA 3 & PA 3 Series

ANSI Symbols	3
Technical and Operating Data	4
How to Order	5-6
Valve with Base	7-8
Manifold Block Assembly	9-10
Sandwich Pressure Regulator	11
Regulator Service Kits	11
Sandwich Pressure Regulators	12
Valve, Speed Control, and Regulator Assembly	13
End Plate Kits	14
Speed Control Kit	14
Blank Station Plate Kits	14
Blocking Discs	14
Internal/External Pilot Selection-SPA 3	15
Solenoid Capsule Assemblies-Direct and Solenoid Pilot	15
Base Assemblies	16
Manifold Kits	17
Valve Service Kits and Parts	18-19

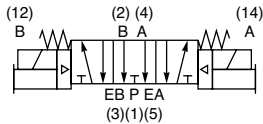
5 Ported, 2 and 3 position, 4-way, Spool & Sleeve,

Cv: 0.35

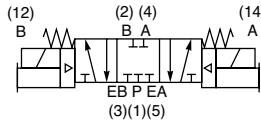
- Direct solenoid, air pilot or solenoid air pilot actuated
- DIN plug-in solenoid with indicator light
- Unlubricated or lubricated service
- Integral speed control available
- Integral regulators available
- NEMA 4



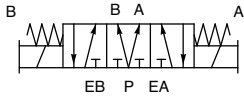
double solenoid pilot  
3 position 4-way  
open center



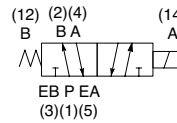
double solenoid pilot  
3 position 4-way  
closed center



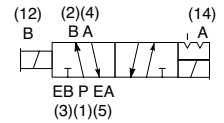
double solenoid  
3 Position 4-Way (5/3),  
pressure center



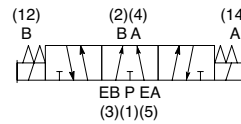
single solenoid  
2 position 4-way



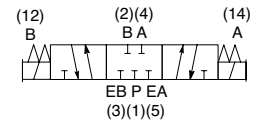
double solenoid  
2 position 4-way



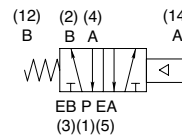
double solenoid  
3 position 4-way  
open center



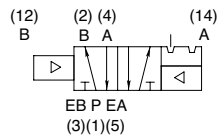
double solenoid  
3 position 4-way  
closed center



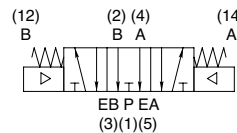
single air pilot  
2 position 4-way



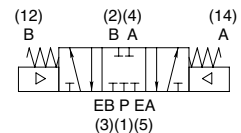
double air pilot  
2 position 4-way



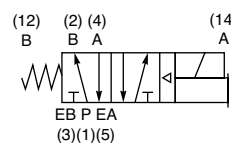
double air pilot  
3 position 4-way  
open center



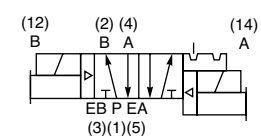
double air pilot  
3 position 4-way  
closed center



single solenoid pilot  
2 position 4-way



double solenoid pilot  
2 position 4-way



## Technical Data

Valve Data		English		Metric	
Cv		1/8 NPTF = 0.35	10-32 UNF = 0.18	1/8 = 0.35	M5 = .018
Flow Capacity		16.21 SCFM	8.34 SCFM	345 NI/m	177 NI/m
		Upstream pressure to atmosphere @80 PSIG		@ 6 bar upstream/5 bar downstream	
Operating Pressure Range		28" HG. Vacuum to 150 PSIG		Vacuum to 10 bar	
Pilot Pressure Range	2-Position, Spring Return 2-Position, Detented 3-Position	20-100 PSIG 15-100 PSIG 20-100 PSIG			
Temperature Range (Ambient)	Direct Solenoid Air Pilot Solenoid Air Pilot	-10°F to +115°F -10°F to +200°F -10°F to +115°F		-23°C to +46°C -23°C to +93°C -23°C to +16°C	

**Operating Data - Mark 3**

<b>All Solenoids Are Continuous Duty Rated</b>		<b>12 VDC</b>	<b>24 VDC</b>	<b>24 VAC 50 Hz</b>	<b>24 VAC 60 Hz</b>	<b>115 VAC 50 Hz</b>	<b>120 VAC 60 Hz</b>	<b>230 VAC 50 Hz</b>	<b>240 VAC 60 Hz</b>
Power (Watts)		6.0	6.0	4.0	3.0	5.5	4.0	5.2	4.6
Holding Current (Amps.)		0.500	0.250	0.290	0.234	0.063	0.052	0.025	0.021
Inrush Current (Amps.)		N/A	N/A	0.490	0.450	0.093	0.090	0.042	0.041
Energize in seconds	2-Position, Single, Spring Return	0.012	0.012	0.008	0.008	0.008	0.008	0.008	0.008
	2-Position, Double, Detented	0.012	0.012	0.008	0.008	0.008	0.008	0.008	0.008
	3-Position, Spring Centered	0.012	0.012	0.008	0.008	0.008	0.008	0.008	0.008
De-energize in seconds	2-Position, Single, Spring Return	0.008	0.008	0.012	0.012	0.012	0.012	0.012	0.012
	2-Position, Double, Detented	N/A	N/A	N/A	N/A	N/A	N/A	N/A	N/A
	3-Position, Spring Centered	0.008	0.008	0.012	0.012	0.012	0.012	0.012	0.012

**Operating Data - SPA 3**

<b>All Solenoids Are Continuous Duty Rated</b>		<b>12 VDC</b>	<b>24 VDC</b>
Power (Watts)		1.2	1.2
Holding Current (Amps.)		0.100	0.050
Energize in seconds	2-Position, Single, Spring Return	0.009	0.009
	2-Position, Double, Detented	0.010	0.010
	3-Position, Spring Centered	0.010	0.010
De-energize in seconds	2-Position, Single, Spring Return	0.015	0.015
	2-Position, Double, Detented	N/A	N/A
	3-Position, Spring Centered	0.040	0.040

### How to Order

#### Valves

**031 SA 4 15 4 0 000 61**

**Valve Series & Port Size**  
 030 = 10-32  
 031\* = 1/8  
 \*Valve Unit Only (Mounting = 00)

**Valve Type**  
 BA = Single Solenoid Pilot, Spring Return w/Flush Non-Loc  
 BB = Double Solenoid Pilot w/Flush Non-Locking Override  
 PA = Single Air Pilot, Spring Return  
 PP = Double Air Pilot  
 SA = Single Solenoid, Spring Return w/Flush Non-locking Override  
 SS = Double Solenoid w/Flush Non-locking Override

**Function**  
 4 = 2 Position, 4-Way  
 5 = 3 Position, 4-Way Open Center  
 6 = 3 Position, 4-Way Closed Center  
 7\* = 3 Position 4-Way (5/3), Pressure Center  
 \*available with SS only

**Mounting**  
 00 = Valve Unit Only  
 01 = Valve Unit Only w/Speed Control  
 15 = Manifold Block w/Side and Bottom Ports  
 25 = 15 w/Speed Control  
 41 = Standard Base, Side Ports, Individual Exhaust  
 46 = 41 w/Speed Control  
 56\*\* = Standard Base, Bottom Ports, Individual Exhaust  
 58\*\* = 56 w/Speed Control  
 \*\*10-32 Ports Only

**Voltage**  
 20 = 24/50-60 VAC  
 30 = 110-120/50-60 VAC  
 40 = 220-240/50-60 VAC  
 60 = 12 VDC  
 61 = 24 VDC  
 00 = No Voltage (PA/PP only)

**Special Options**  
 11B = Flush Locking Override  
 11Z = Extended Locking Override  
 13A = 48" Leads  
 17N = DC Solenoid w/Surge Suppression Diode

**Port Type**  
 0 = NPTF  
 G = G Tap  
 P = NPTF (Solenoid Pilot Valves)  
 Q = G-Tap (Solenoid Pilot Valves)

**Wiring Option**  
 B = DC Hardwired w/15" Leads  
 C = Proprietary AC Plug-In  
 E = Proprietary DC Plug-In  
 M = DC Straight 2-Pin Plug-in w/Light (BA or BB only)  
 O = AC Hardwired w/15" Leads (SA, SS or Air Pilot)  
 2 = DIN Plug-in AC Solenoid (SA or SS only)  
 4 = DIN Plug-in DC Solenoid (SA or SS only)

#### Plug Connector

M Wiring Option (SPA only)



Lead Length	Part No.
12" Lead	230-443
48" Lead	230-476
120" Lead	230-486

Part Name	Part No.
Housing	140-384
Terminal	140-385

Plug connector is not included with solenoid assemblies or valve models. Must order separately.

Note: Wire Gage = 22 AWG

#### Cable Assemblies

C and E Wiring Option

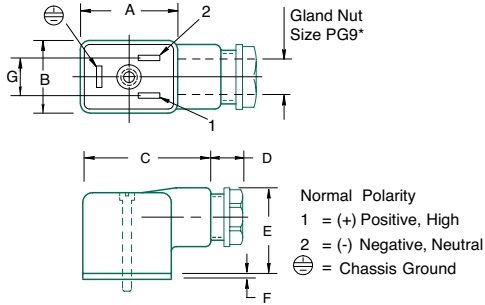


Cord Length	Part No.
4' Cord	230-214
6' Cord	230-260
10' Cord	230-348
16' Cord	230-432
20' Cord	230-434
40' Cord	230-843

NOTE: Plug connector is NOT included with solenoid. Order connector assembly separately (see ordering information below).

**Plug-in Connector Assemblies for DIN Plug-In Valves**

2 and 4 Wiring Option  
Per DIN Spec. NO 43650. \*Accepts cable diameter 0.240 to 0.310.  
11mm Industry Standard DIN Form B



Connector Assembly	Part No.
Grey (A end solenoid) Plug Assembly	230-363
Black (B end solenoid) Plug Assembly	230-364
Plug Assembly with 24 V Light	230-365
Plug Assembly with 110 V Light	230-366
Plug Assembly with 220 V Light	230-367

Dimensions: Inches (mm)						
A	B	C	D	E	F	G
1.12 (28.4)	0.83 (21.1)	1.57 (39.9)	0.40 (10.2)	1.10 (27.9)	0.06 (1.5)	0.43 (11.0)

**How to Order Continued**

**Regulators**

**031 RS 7 00 0 0 000 00**

**Valve Series & Port Size**  
031 = 1/8

**Regulator Type**  
RS = Single Pressure to Port 1 (P)  
RD = Dual Pressure to Ports 3 (EB) & 5 (EA)

**Pressure Range**  
3 = 3-30 PSIG (0.2 - 2 Bar)  
7 = 0-100 PSIG (0-6.9 Bar)

**Mounting**  
00 = Regulator Unit Only  
02\*\* = Regulator Unit for Use w/Speed Control  
\*\*Speed control can only be used with type RS.  
These model numbers include regulator with extra long screws #127-332. For complete information on ordering with speed control, see page 13.

**Special Options**  
16N = Jumper on (A) 14 End  
16P = Jumper on (B) 12 End

**Port Type**  
0 = NPTF

**Wiring Option**  
0 = Non Plug-in

**Manifold Assembly Kit**

**AK 0 C E 0000 1 N STD**

**Electrical/Electronics Type & Location**  
0 = Standard

**Valve Line**  
C = Mark 3 Series

**Number of Valve Stations**  
A = 1 E = 5 I = 9 M = 13  
B = 2 F = 6 J = 10 N = 14  
C = 3 G = 7 K = 11 O = 15  
D = 4 H = 8 L = 12 P = 16

**Options**  
STD = Standard

**Port Type**  
N = NPTF  
G = G tap

**End Plate Port Size**  
1 = 1/8  
2 = 1/4

**Example order**

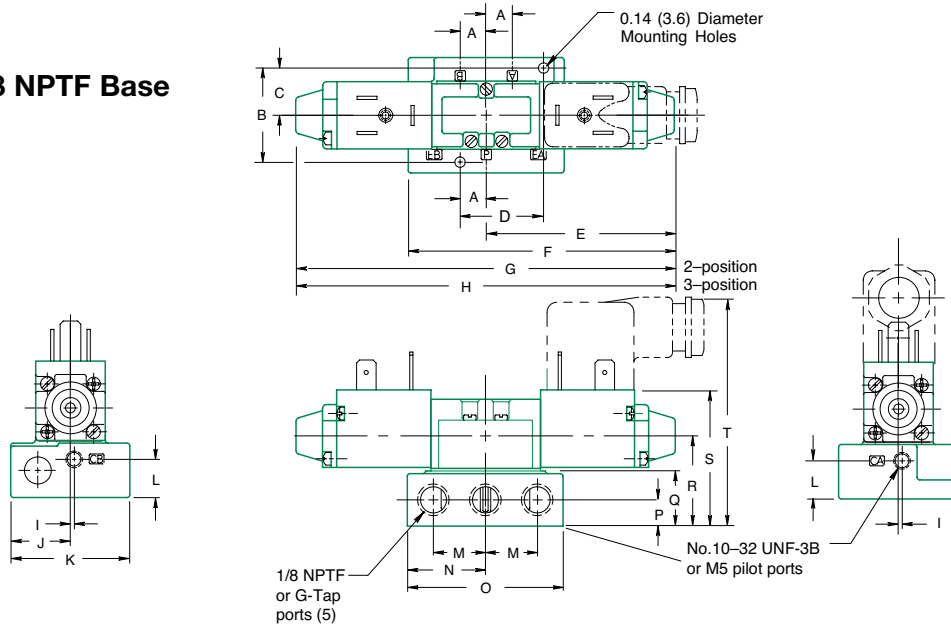
List in order, left to right, facing cylinder ports

Assembly Kit	AK0CB00001NSTD
Station 1	030BB400BP00061
Station 2	030BA400BP00061
	ASSEMBLED

### Dimensions: Inches (mm)

#### Mark 3

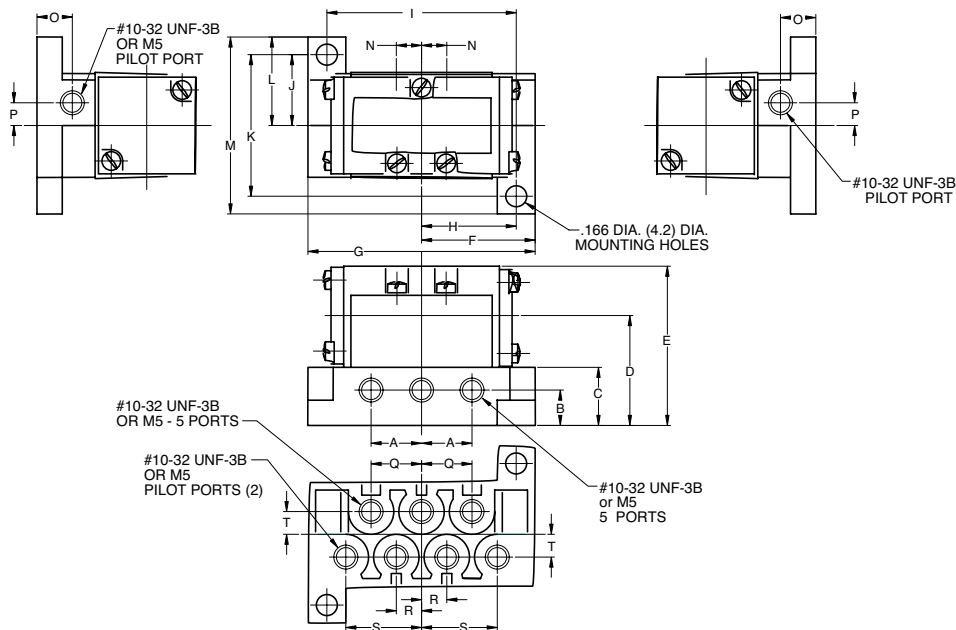
#### Valve with 1/8 NPTF Base



A	B	C	D	E	F	G	H	I	J	K	L	M	N	O
0.31 (7.9)	1.09 (27.7)	0.55 (14.0)	1.00 (25.4)	2.30 (58.4)	3.24 (82.3)	4.60 (116.8)	4.86 (123.4)	0.03 (0.76)	0.69 (17.5)	1.38 (35.0)	0.44 (11.2)	0.63 (16.0)	0.94 (23.8)	1.88 (47.7)
P	Q	R	S	T										
0.31 (7.8)	0.65 (16.5)	1.06 (26.9)	1.65 (41.9)	2.80 (71.1)										

#### PA 3

#### Valve with 10-32 UNF-3B Base

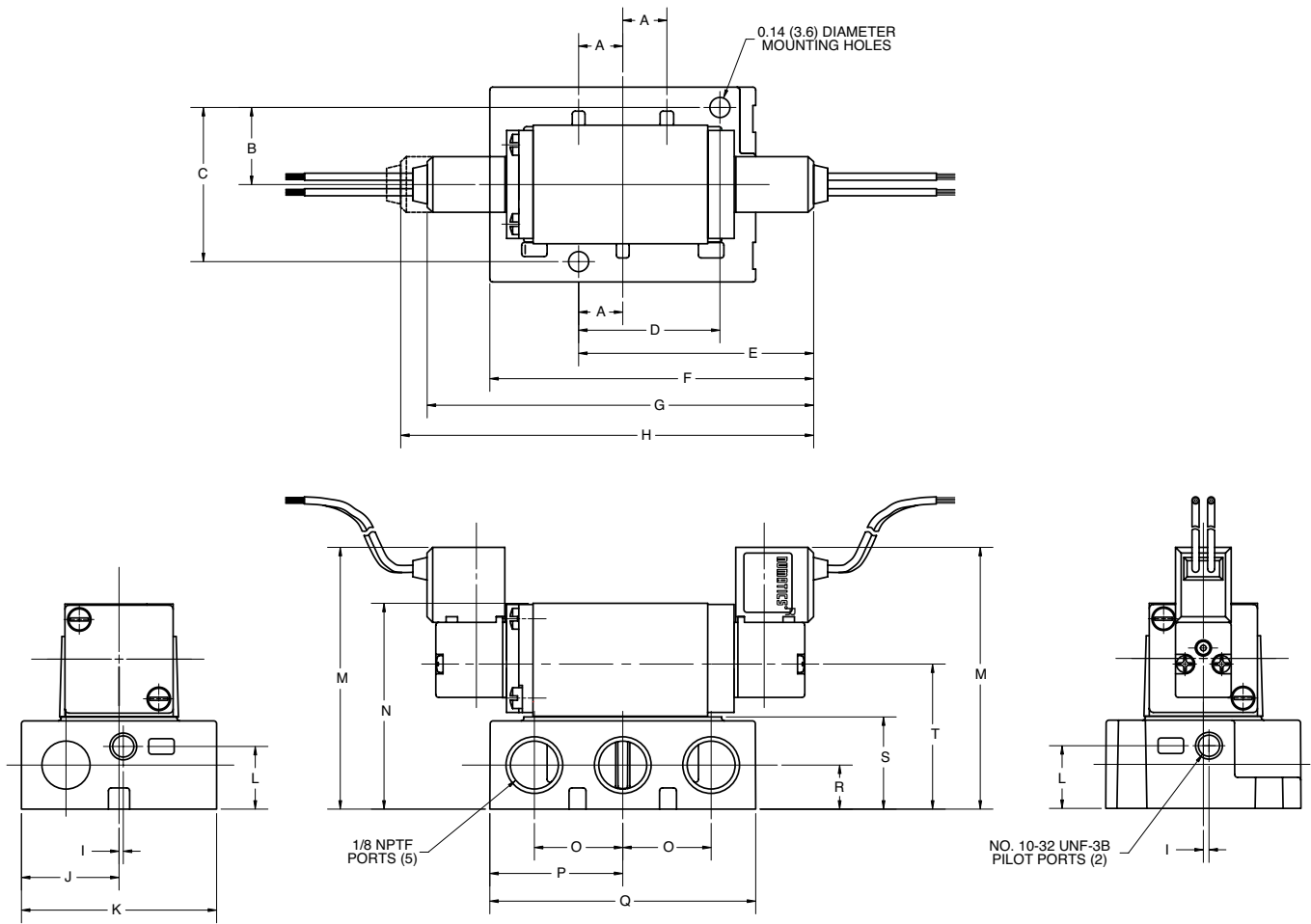


A	B	C	D	E	F	G	H	I	J	K	L	M	N	O	P	Q	R	S	T
0.40 (10.2)	0.28 (7.1)	0.46 (11.7)	0.87 (22.1)	1.26 (32.0)	0.90 (22.9)	1.80 (45.7)	0.75 (19.1)	1.50 (38.1)	0.56 (14.2)	1.12 (28.4)	0.70 (17.8)	1.40 (35.6)	0.20 (5.1)	0.28 (7.1)	0.18 (4.6)	0.40 (10.2)	0.20 (5.1)	0.60 (15.2)	0.18 (4.6)

Dimensions: Inches (mm)

SPA 3

Valve with 10-32 UNF-3B Base

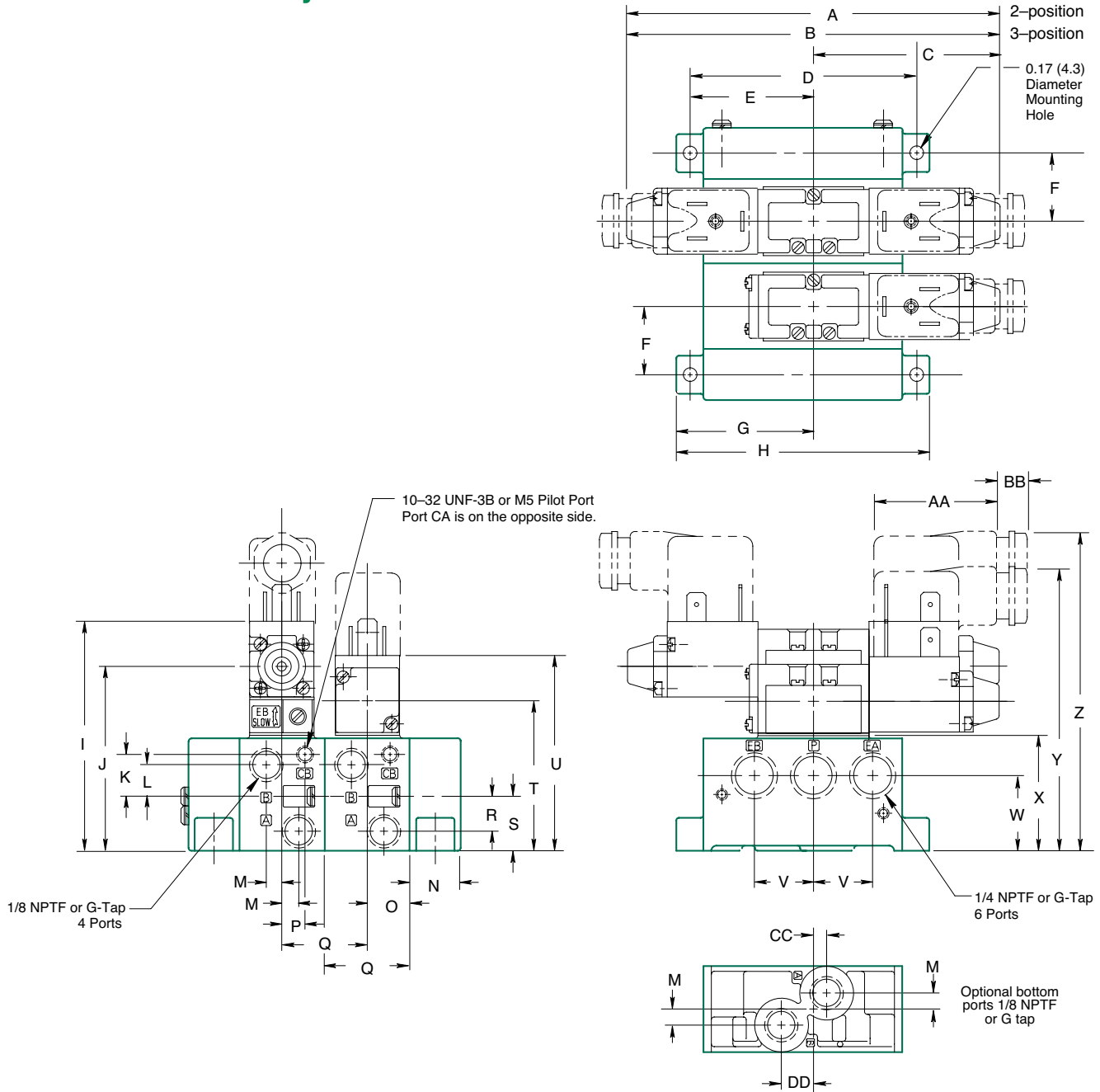


A	B	C	D	E	F	G	H	I	J	K	L	M	N	O	P	Q	R	S	T
0.31 (7.9)	0.55 (13.9)	1.09 (27.7)	1.00 (25.4)	1.66 (42.2)	2.29 (58.2)	2.73 (69.3)	2.92 (74.2)	0.03 (0.76)	0.69 (17.5)	1.38 (35.0)	0.44 (11.2)	0.63 (16.0)	0.94 (23.8)	1.88 (47.7)	0.94 (23.8)	1.88 (47.7)	0.31 (7.8)	0.65 (16.5)	1.03 (26.2)



Dimensions: Inches (mm)

### Manifold Block Assembly

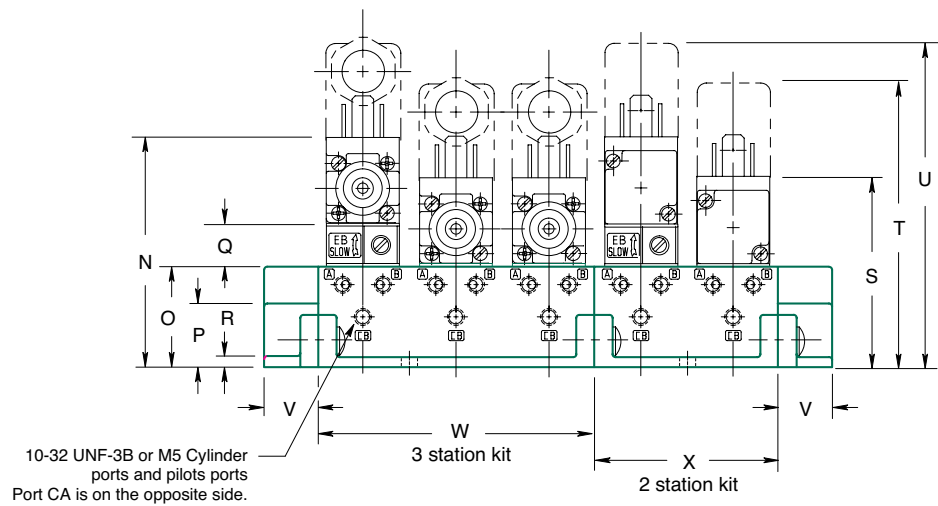
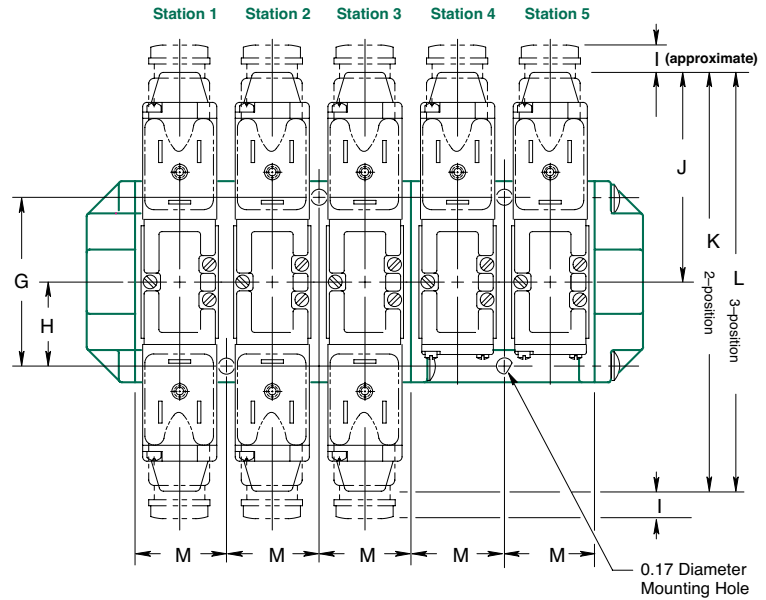
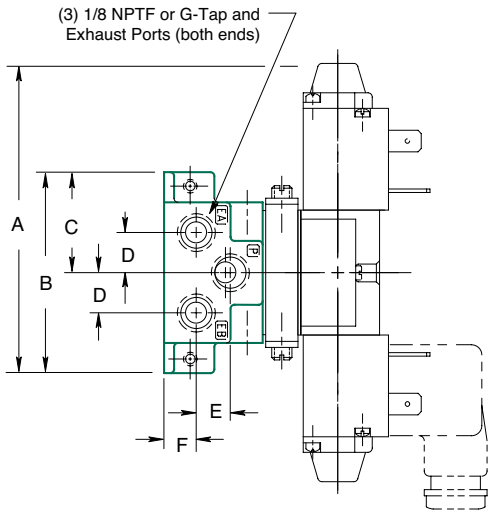


A	B	C	D	E	F	G	H	I	J	K	L	M	N	O
4.60 (116.8)	4.86 (123.4)	2.30 (58.4)	2.63 (66.8)	1.44 (36.5)	0.81 (20.6)	1.59 (40.4)	2.94 (74.6)	2.77 (70.4)	2.24 (56.9)	0.47 (11.9)	0.34 (8.6)	0.19 (4.8)	0.59 (15.0)	0.48 (12.2)

P	Q	R	S	T	U	V	W	X	Y	Z	AA	BB	CC	DD
0.27 (6.8)	1.00 (25.4)	0.41 (10.4)	0.72 (18.3)	1.82 (46.2)	2.40 (61.0)	0.69 (17.5)	0.94 (23.9)	1.41 (35.8)	3.56 (90.4)	3.93 (99.8)	1.57 (39.9)	0.40 (10.2)	0.16 (4.1)	0.38 (9.6)

**Dimensions: Inches (mm)**

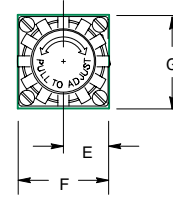
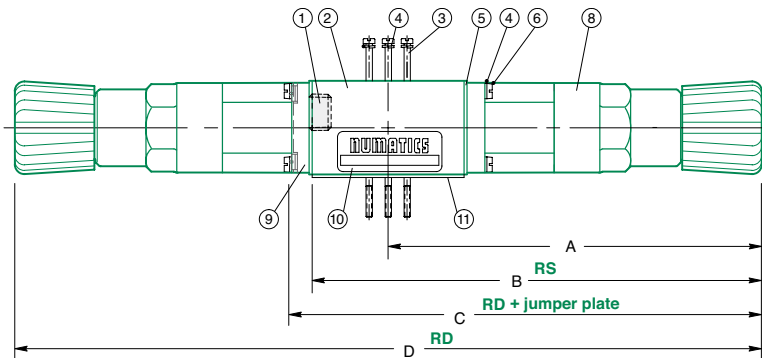
**10-32 UNF-3B Manifold Assembly**



A	B	C	D	E	F	G	H	I	J	K	L	M	N	O	P	Q	R
3.30	2.00	1.00	0.40	0.38	0.32	1.70	0.85	0.30	2.33	4.60	4.86	0.92	2.36	1.00	0.52	0.37	0.10
(83.8)	(50.8)	(25.4)	(10.2)	(9.7)	(8.1)	(43.2)	(21.6)	(7.6)	(58.4)	(116.8)	(123.4)	(23.4)	(59.9)	(25.4)	(13.2)	(9.4)	(2.5)

S	T	U	V	W	X
1.99	3.15	3.52	0.50	2.76	1.84
(50.5)	(80.0)	(89.4)	(12.7)	(70.1)	(46.7)

## Sandwich Pressure Regulator



Dimensions: Inches (mm)						
A	B	C	D	E	F	G
3.73 (94.7)	4.48 (113.8)	4.70 (119.4)	7.47 (189.7)	0.437 (11.1)	0.875 (22.2)	0.92 (23.4)

### Gauges - RS Regulators only

Pressure Gauge	Part No.
0-60 PSIG	214-216
0-150 PSIG	214-209
0-11 Bar	214-210

### Parts List

Det. No.	No. Req'd	Part Name	Part No.
1	1	Plug (type RS only)	129-100
2	2	Regulator Block	RS: 213-319 RD: 213-320
3	3	Screw	standard: 127-331 w/speed control: 127-332
4	7	Lockwasher	128-172
5	*	Gasket (body to reg. ass'y)	113-472
6	**	Screw	127-380
8	*	Regulator Assembly (not sold separately)	
9	1	Jumper Plate Kit***	229-733
10	1	Nameplate	122-571
11	1	Gasket	113-403

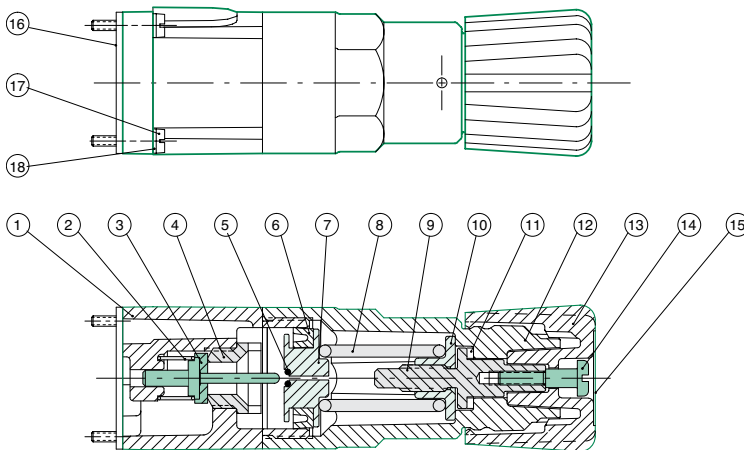
\*(1) required for RS; (2) for RD

\*\* (4) required for RS; (8) for RD

\*\*\* Jumper plate kit (shown in phantom) includes jumper plate (4) screw #127-260; (4) lockwasher #128-172; and (1) gasket #113-290

## Regulator Service Kits

239-708



### Parts List

Det. No.	No. Req'd	Part Name	Part No.
1	1	Regulator Body	101-706
2 *	1	Spring	115-226
3 *	1	Poppet Assembly	221-168
4	1	Poppet Seat	124-148
5 *	1	O-Ring	126-336
6 *	1	Seal U-Packing	124-302
7	1	Piston	125-928
8	1	Spring	0-30 PSIG: 115-352 0-100 PSIG: 115-342
9	1	Metering Screw	118-187
10	1	Spring Guide	112-369
11	1	Bearing	125-617
12	1	Bonnet	125-623
13	1	Knob	125-624
14	1	Screw	127-706
15	1	Label	122-992
16	1	Gasket	113-472
17	4	Screw	127-380
18	4	Lockwasher	128-172

\*Indicates parts included in kit

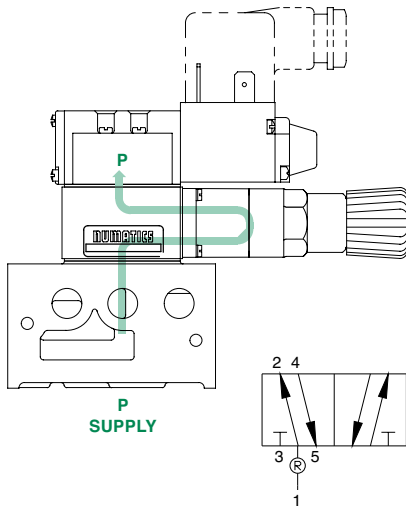
**Sandwich Pressure Regulators**

**Types: RS / RD**

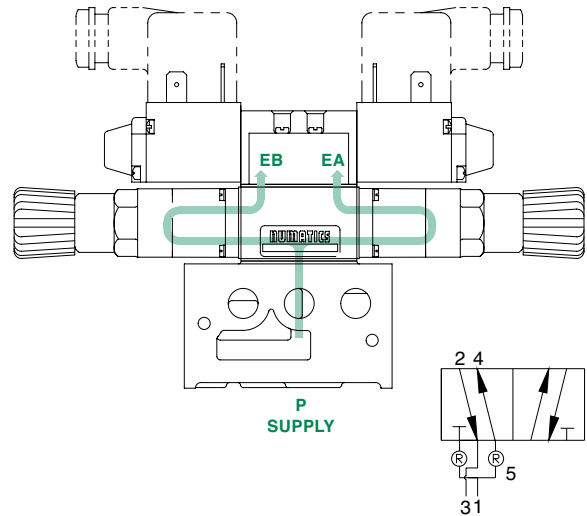
When ordering a valve plus regulator mounted on a base or manifold, list the regulator unit–only model number and include the mounting requirements only within the valve model selection. Specify “Assembled.”

Example orders:	TYPE RS	TYPE RD
Valve:	031SA4152000030	031SS4152000030
+mounting		
Regulator	031RS7000000000	031RD7000000000
(unit only)	ASSEMBLED	ASSEMBLED

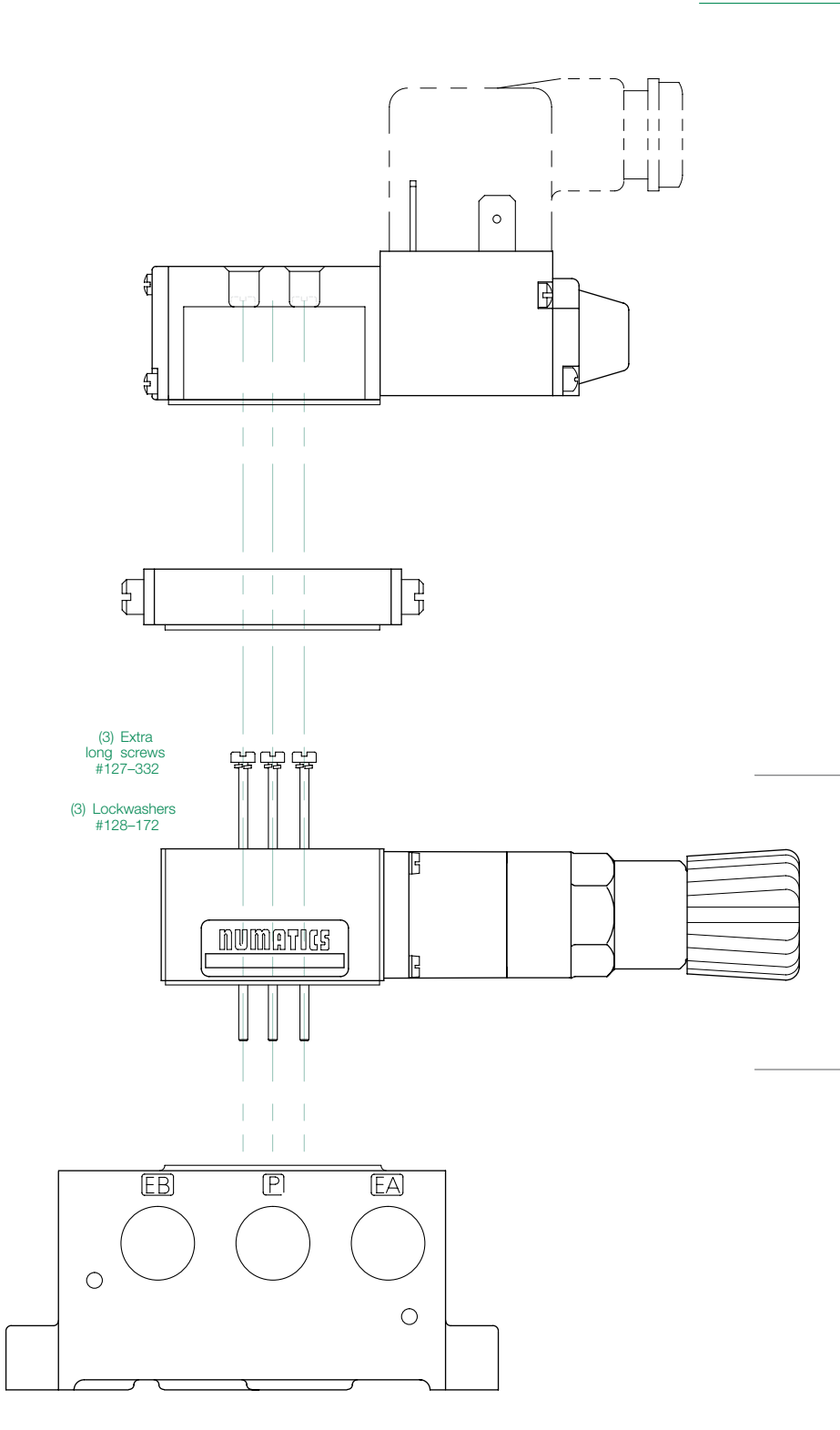
**Type RS**



**Type RD**



## Valve, Speed Control, and Regulator Assembly



### EXAMPLE

#### 031SA4252000030

1/8 NPTF Mark 3 single solenoid valve unit + speed control sandwich + FlexiBlok manifold with 1/8 NPTF side and bottom cylinder ports

#### 031RS7020000000

Mark 3 single pressure regulator (0 - 100 PSIG) + extra long screws

#### EXAMPLE ORDER:

Valve: 031SA4252000030  
 Regulator: 031RS7020000000  
 ASSEMBLED

**End Plate Kits**

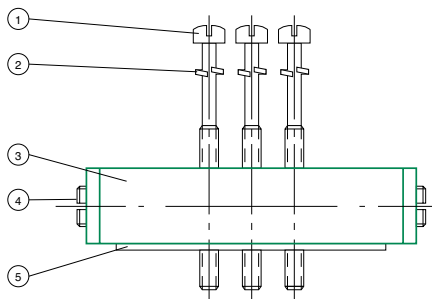
End Plate Ports	Manifold Port	Part No.
1/8 NPTF	10-32 UNF-3B	229-526
G 1/8	M5	239-260
1/4 NPTF	1/8 NPTF	229-719
G 1/4	G 1/8	239-261

**Parts List**

No. Req'd	Part Name	Part No.			
		1/8 NPTF	1/4 NPTF	G 1/8	G 1/4
1	Left End Plate	104-198	104-238	104-405	104-366
2	Screw	127-265	127-328	127-265	127-328
2	Lockwasher	128-109	128-116	128-109	128-116
3	Seal	126-107	126-201	126-107	126-201
1	Right End Plate	104-197	104-237	104-404	104-365

**Speed Control Kit**

**239-469**

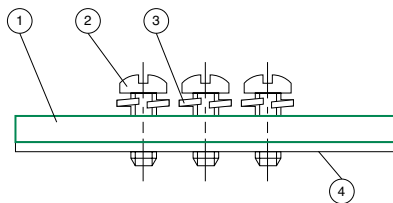


**Parts List**

Port Type	Part No.	Part Name	Part No.
1	3	Screw	127-293
2	3	Lockwasher	128-242
3	3	Speed Control (not sold separately)	
4	1	Metering Screw Assembly	213-255
5	2	Gasket	113-407

**Blank Station Plate Kit**

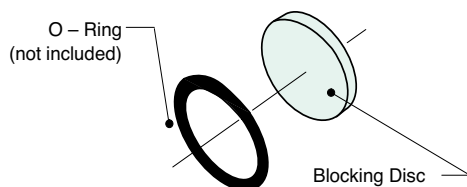
**229-538**



**Parts List**

Port Type	Part No.	Part Name	Part No.
1	1	Blank Station Plate (not sold separately)	
2	3	Lockwasher	127-260
3	3	Screw	128-172
4	1	Gasket	113-403

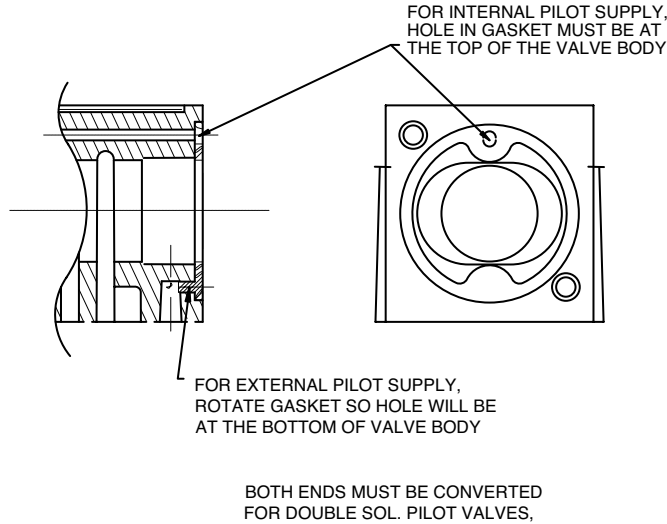
**Blocking Discs**



Port Type	Part No.
10-32 UNF-3B	124-138
1/8 NPTF	124-151

## SPA 3

### Internal/External Pilot Selection



### Direct Solenoid Capsule Assemblies (Flushing Non-Locking Override)

Override Type	Valve Function	Wiring Option	B/A End	Voltage				
				AC			DC	
				100-115/50 110-120/60	200-230/50 220-240/60	24/50-60	12 VDC	24 VDC
Flush non-locking override (standard)	2 position	Hardwired	B/A	237-952	237-953	237-954	236-102	236-103
	2 position	DIN Plug-in	B/A	237-961	237-962	237-963	236-126	236-127
	3 position	Hardwired	B End	237-993	237-992	237-994	236-154	236-155
	3 position	Hardwired	A End	237-990	237-989	237-991	236-108	236-109
	3 position	DIN Plug-in	B End	237-1011	237-1010	237-1012	236-166	236-167
	3 position	DIN Plug-in	A End	237-1008	237-1007	237-1009	236-132	236-133

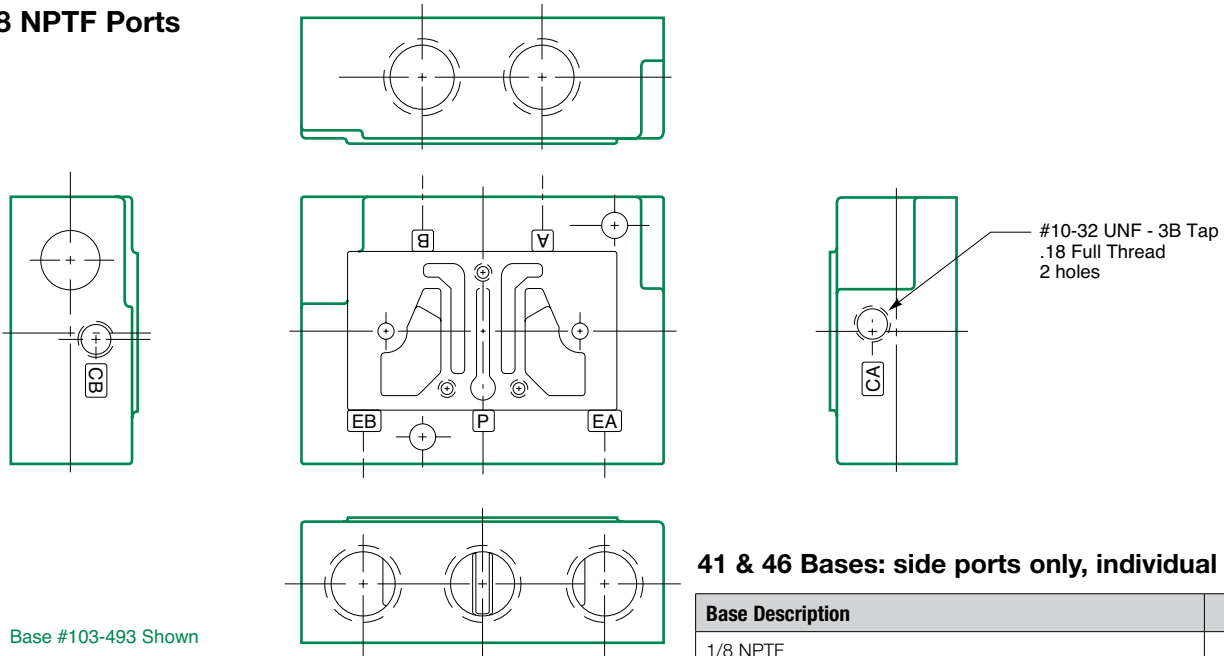
Includes solenoid and end cap assembly + screws and gaskets.

### Solenoid Pilot Capsule Assemblies

	12 VDC	24 VDC
Hardwired	236-298	236-299
Straight Plug-In	236-301	236-302

**Base Assemblies**

**1/8 NPTF Ports**



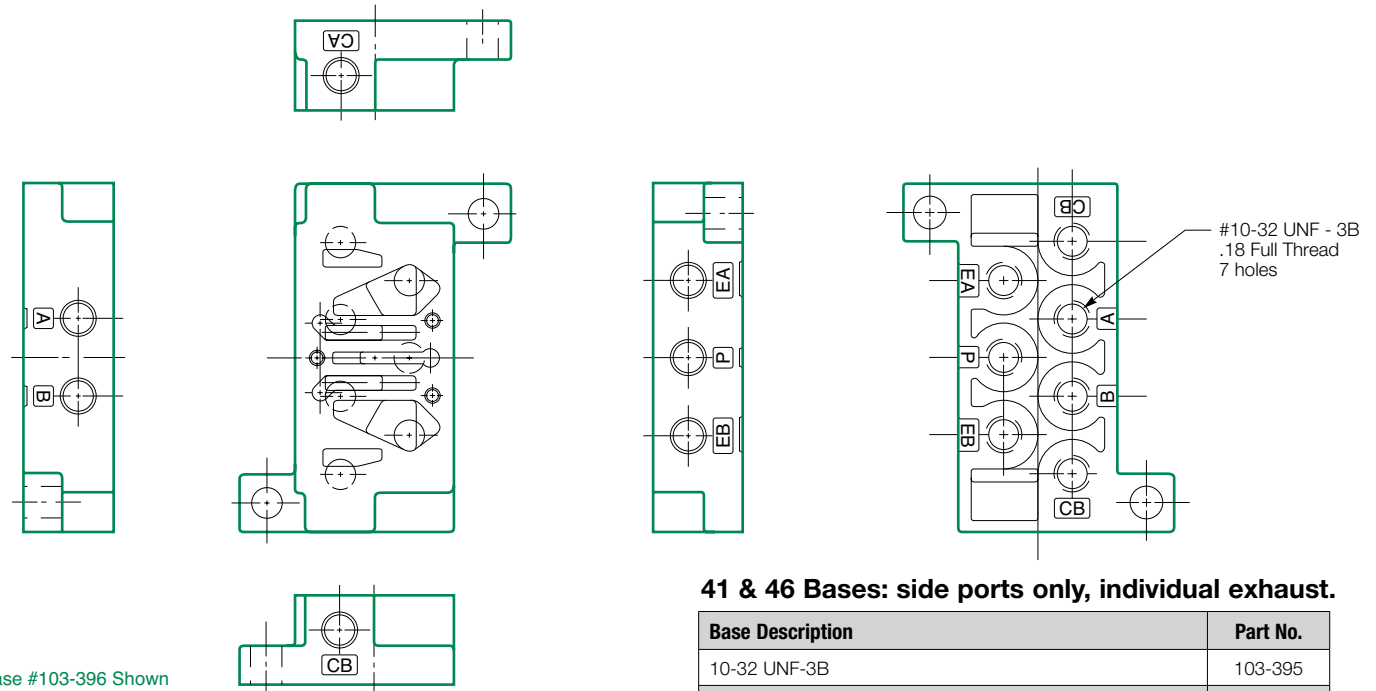
Base #103-493 Shown

**41 & 46 Bases: side ports only, individual exhaust.**

Base Description	Part No.
1/8 NPTF	103-493
G 1/8	103-592

**Base Assemblies**

**10-32 UNF-3B Ports**



Base #103-396 Shown

**41 & 46 Bases: side ports only, individual exhaust.**

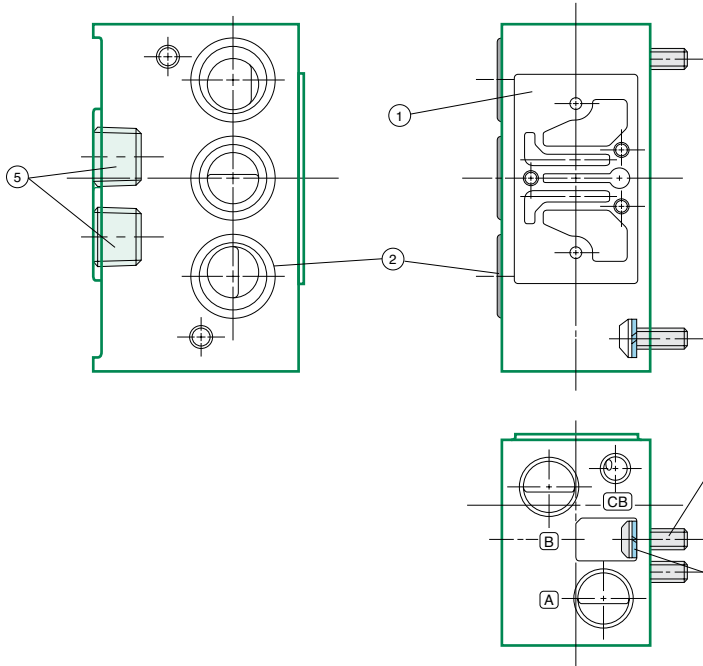
Base Description	Part No.
10-32 UNF-3B	103-395
M5	103-613

**56 & 58 Bases: bottom ports, individual exhaust.**

Base Description	Part No.
10-32 UNF-3B	103-396
M5	103-614



## Manifold Kits – FlexiBlok



### Parts List

Port Type	Part No.	Part Name	Part No.
1	1	Manifold Block (not sold separately)	
2	3	Seal	126-201
3	2	Screw	127-327
4	2	Lockwasher	128-116
5	2	Plug	1/8 NPTF: 129-100 G 1/8: 129-160

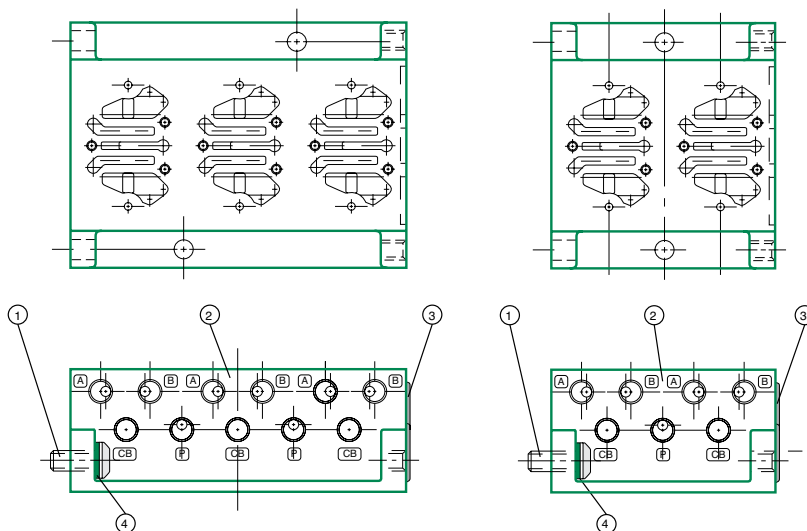
### FlexiBlok #15: side & bottom cylinder ports

Manifold Description	Part No.
1/8 NPTF	229-718
G 1/8	239-262

## Manifold Kits – 10-32 UNF-3B

3 Station Kit

2 Station Kit



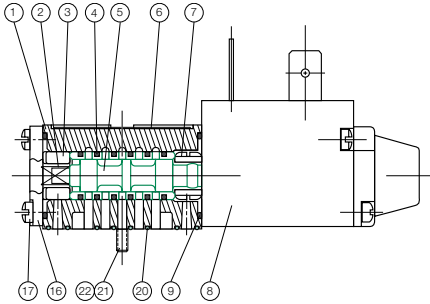
### Parts List

Det. No.	No. Req'd	Part Name	Part No.
1	2	Screw	127-265
2	1	Manifold Block (not sold separately)	
3	3	Seal	126-107
4	2	Lockwasher	128-109

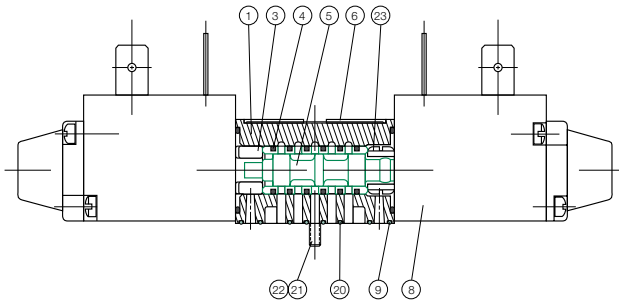
Manifold Description	Part No.
10-32 UNF-3B – 2-station manifold kit	229-524
M5 – 2-station manifold kit	239-263
10-32 UNF-3B – 3-station manifold kit	229-525
M5 – 3-station manifold kit	239-264

**Valve Service Kits and Parts - 2 Position**

**Kit No. MK3-K1 (for models 030SA4, 031SA4)**

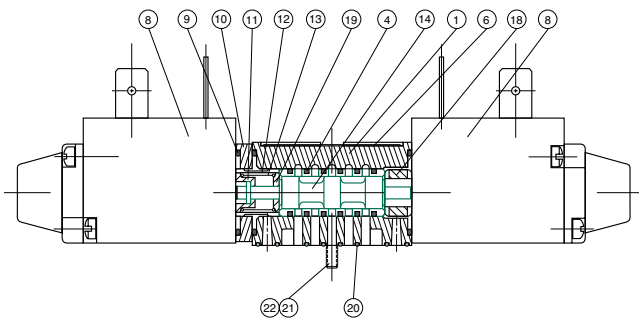


**Kit No. MK3-K1 (for models 030PP4, 031PP4)  
030SS4, 031SS4)**

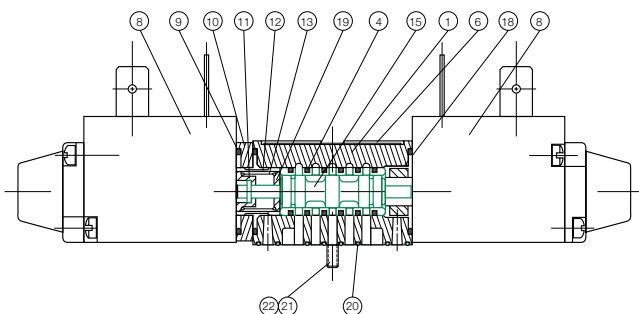


**Valve Service Kits and Parts -  
3 Position**

**Kit No. MK3-K3 (for models 030PP5, 031PP5,  
030SS5, 031SS5)**



**Kit No. MK3-K3 (for models 030PP6, 031PP6,  
030SS6, 031SS6)**

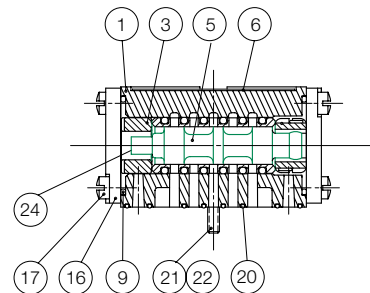


**Parts List**

Det. No.	SA4	SS4 & PP4	SS5 & PP5	SS6 & PP6	PA4	Part Name	Part No.
1	1	1	1	1	1	Valve Body (not sold separately)	
2 *	1	N/A	N/A	N/A	N/A	Spring	115-203
3 *	1	1	N/A	N/A	1	Bumper	114-130
4 *	6	6	6	6	6	Seal	126-133
5	1	1	N/A	N/A	1	Sleeve Assembly w/seals	209-278
6	1	1	1	1	1	Nameplate	122-571
7 *	1	N/A	N/A	N/A	N/A	Detent Body	110-109
8	1	2	2	2	N/A	Solenoid Capsule Assembly	See p. 15
9 *	2	2	3	3	2	O-Ring	126-134
10	N/A	N/A	1	1	N/A	Adaptor	119-343
11 *	N/A	N/A	1	1	N/A	Spring Retainer	116-396
12 *	N/A	N/A	1	1	N/A	Spacer	116-397
13 *	N/A	N/A	1	1	N/A	Spring	115-291
14	N/A	N/A	1	N/A	N/A	Sleeve Assembly w/seals	209-373
15	N/A	N/A	N/A	1	N/A	Sleeve Assembly w/seals	209-374
16	1	N/A	N/A	N/A	2	End Plate	104-199
17	2	N/A	N/A	N/A	4	Screw	127-260
18 *	N/A	N/A	1	1	N/A	Bumper	101-498
19 *	N/A	N/A	1	1	N/A	Spring Retainer	116-395
20 *	1	1	1	1	1	Gasket	113-407
21	3	3	3	3	3	Screw	127-292
22	3	3	3	3	3	Lockwasher	128-242
23 *	N/A	1	N/A	N/A	N/A	Detent Assembly	210-111
24 *	N/A	N/A	N/A	N/A	1	Spring	115-231

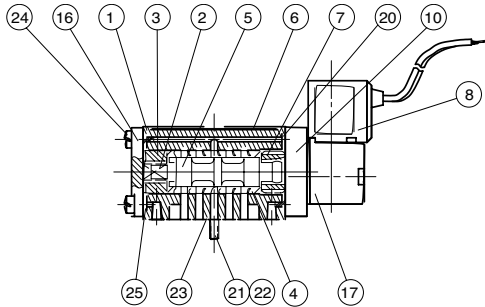
\*Indicates parts included in repair kit.

**Kit No. PA3-K1 (for model 030PA4, 031PA4)**

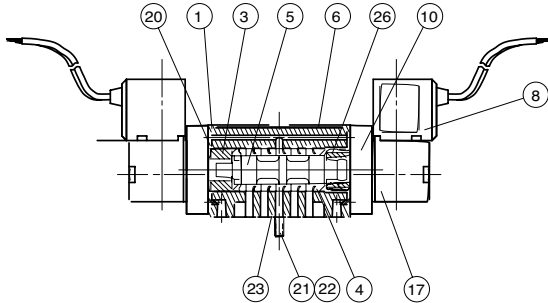


## Valve Service Kits and Parts - 2 Position

**Kit No. SPA3P-K1 (for models 030BA4, 031BA4)**

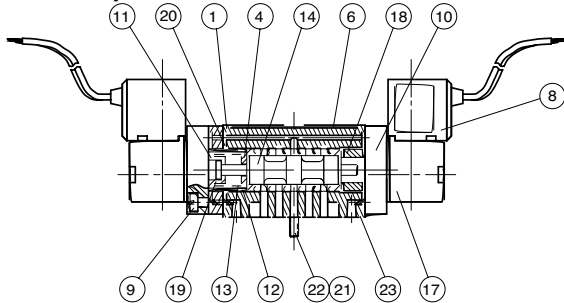


**Kit No. SPA3P-K1 (for models 030BB4, 031BB4)**

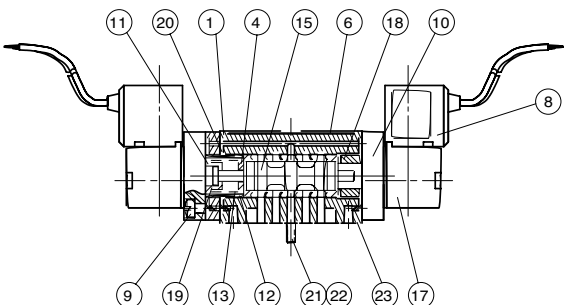


## Valve Service Kits and Parts - 3 Position

**Kit No. SPA3P-K3 (for models 030BB5, 031BB5)**



**Kit No. SPA3P-K3 (for models 030BB6, 031BB6)**



## Parts List

Det. No.	BA4	BB4	BB5	BB6	Part Name	Part No.
1	1	1	1	1	Valve Body (not sold separately)	
2	1*	N/A	N/A	N/A	Spring	115-231
3	1*	1*	N/A	N/A	Bumper	114-130
4	6*	6*	6*	6*	Seal	126-133
5	1	1	N/A	N/A	Sleeve Assembly w/seals	209-278
6	1	1	1	1	Nameplate	122-571
7	1*	N/A	N/A	N/A	Detent Body	110-109
8	1	2	2	2	Solenoid Capsule Assembly	See p. 15
9	N/A	N/A	3	3	Screw	127-613
10	1	2	2	2	Adaptor Assembly	219-343
11	N/A	N/A	1*	1*	Spring Retainer	116-395
12	N/A	N/A	1*	1*	Spacer	116-397
13	N/A	N/A	1*	1*	Spring	115-291
14	N/A	N/A	1	N/A	Sleeve Assembly w/seals	209-537
15	N/A	N/A	N/A	1	Sleeve Assembly w/seals	209-538
16	1	N/A	N/A	N/A	End Plate	104-199
17	1	2	2	2	Pilot Assembly	219-345
18	N/A	N/A	1*	1*	Bumper	114-171
19	N/A	N/A	1*	1*	Spring Retainer	116-396
20	1*	2*	3*	3*	Gasket	113-296
21	3	3	3	3	Screw	127-292
22	3	3	3	3	Lockwasher	128-242
23	1*	1*	1*	1*	Gasket	113-407
24	4	4	2	2	Screw	127-260
25	1*	N/A	N/A	N/A	Gasket	113-297
26	N/A	1*	N/A	N/A	Detent Assembly	210-111

\*Indicates parts included in kit.



World Class Supplier of Pneumatic Components



## World Headquarters

### **USA Numatics, Incorporated**

46280 Dylan Drive  
Novi, Michigan 48377

P: 248-596-3200  
F: 248-596-3201

### **Canada Numatics, Ltd**

P: 519-758-2700  
F: 519-758-5540

### **México - Ascomatica SA de CV**

P: 52 55 58 09 56 40 (DF y Area metropolitana)  
P: 01 800 000 ASCO (2726) (Interior de la República)  
F: 52 55 58 09 56 60

### **Brazil Ascoval Ind.e Comercio Ltda**

P: (55) 11-4208-1700  
F: (55) 11-4195-3970